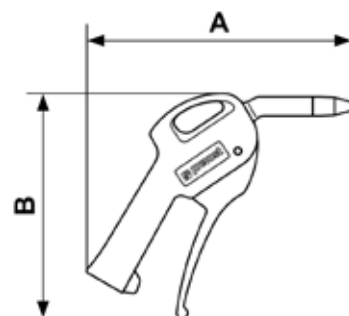


27102 BLOW GUNS ON CLIP

Blow gun with composite nozzle



Max. operating pressure

10

Material

Polyamide

Part number	Flow rate at 6 bar (l/min)	Sound level (DBA)	Female thread
27102 PREP	420	84	G1/4